



### In the Set consisting of :

- Gateway 1 piece
- Smart Switch Touch 1 piece
- Door Sensor 2 piece
- Smoke Sensor 1 piece
- Siren 1 piece

\*\*\* add device maximum 255 devices





## FEATURES

The gateway is the control center of all devices within a smart home, and communicates with all other smart devices in the home via the Zigbee protocol. Even if the home's WiFi is unstable or interrupted, other devices will still be able to function normally.

\*\*\* add device maximum 255 devices

## SPECIFICATION

Color	White
Adaptor	110V~240V AC, 5V / 1A DC
Working Voltage	1.8V~3.3V
Operation Temperature	-10-55°C
Operation Humidity	10%-90%RH (Non-condensing)
Storage Temperature	-20-60°C
Storage Humidity	5%-90%RH (Non-condensing)
Standby Power	<0.8W
System Supported	iOS 8.0/Android 4.0 or above
Wireless Protocol	Zigbee 3.0
Weight	73g
Materials	PC+ABS
Product Size	95x95x23mm.



# WIOT5008Z

## Switch Smart Touch 2 Way

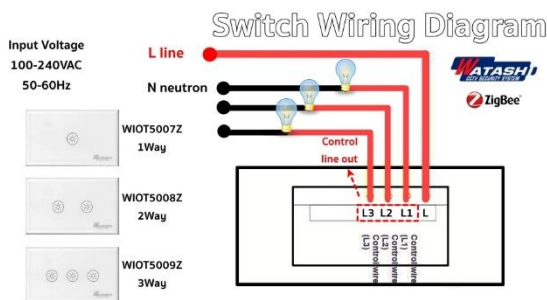


### FEATURES

- 2gate light switch
- Voltage: 100V-240V AC 50-60HZ
- Wireless type: ZigBee
- Control Method: Touch/app/AI
- Function: Remote Control, Timer

### SPECIFICATION

Color	White
Voltage	100V-240V AC 50-60HZ
Maximum Output per Channel	5W-300W
Wireless type	Zigbee
Control Method	Button Touch/app/Voice Control
Function	Remote Control, Timer
Housing Material	PC Frame Retardant Material
Panel Material	Tempered Glass
WI-FI consumption	≤ 0.3W
Power Supply	Single Line (Live Wire)
Support System	Android/IOS
Working Humidity	≤ 80%
Operating Temperature	-40 °C – 85 °C
Panel Size	86*86*34mm
Carton Size	100*100*40mm



# WIOT5012Z

## Door and Window Magnetic Sensor



### FEATURES

- Door and window switch status monitoring
- Historical status record
- Battery status display
- Low battery reminder
- Intelligent scene linkage
- Supported mobile phone operating systems: Android 4.4+; iOS 8.0+

### SPECIFICATION

Color	White
Battery type	3V CR2450 Lithium
Magnet material	N38
Transport protocol	Zigbee
Wireless frequency	2.4 GHz
Working voltage	2.3 V - 3.3 V
Working current (reported)	5 mA on average (Zigbee)
Standby current	<3 uA
Working temperature	-20C to 60C
Relative humidity	0% to 95% (no condensation)
Installation	Choose the closed position of the door/windows



# WIOT5004Z Smoke Sensor



## FEATURES

1. Zigbee HA1.2 standard protocol, good compatibility;
2. Super-low power consumption ;
3. Remote hush through App;
4. Battery low power report;
5. Battery replaceable;
6. Installation tools free;
7. Mini stylish design with appearance patent;

## SPECIFICATION

Color	White
Working voltage	DC3V
Static current	≤10uA
Alarm current	≤60mA
Networking	ZigBee/Z-Wave/NB-IOT
Alarm sound output	85dB/3m
Networking range	≤100M (In an open environment)
Working Environment	-10℃ ~ +50℃
Environment humidity	Max 95%RH
Dimensions	54*54*45mm



# WIOT5011Z

## Zigbee Indoor Siren



### FEATURES

- Standards Zigbee HA1.2 protocol, good compatibility;
- Low power consumption design;
- High flexible rotating plug, suitable for different countries;
- Support sound and flash alarm, alarm sound up to 95dB/m;
- Standby battery can last for 6 hours after cutting AC power
- Can be regarded as wireless repeater to extend wireless distance;
- CE, ROHS

### SPECIFICATION

Color	Red-White
Transport protocol	Standards Zigbee HA1.2
Wireless frequency	2.4 GHz
Connect Only	WIOT5001Z, Gateway Zigbee
Application scope	Indoor use
Alarm sound up to	95dB/m
Standby battery (Hr.)	6 hours
Power	100-240V
Standby Battery	3.8V/700mA
Dimension	Φ80mm*32mm (plug do not included)

