

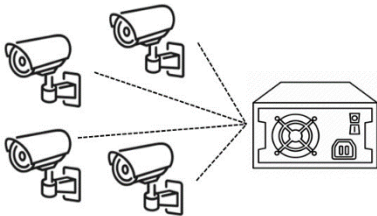
Power Supply AC Input: 110-220VAC  
Power Output: 180 W



## FEATURES

WKC068 defines the state of the art for enthusiast-grade CCTV power supplies. It provides maximum 180 Watts of continuous, digitally-controlled power on circuits of 110-220V.

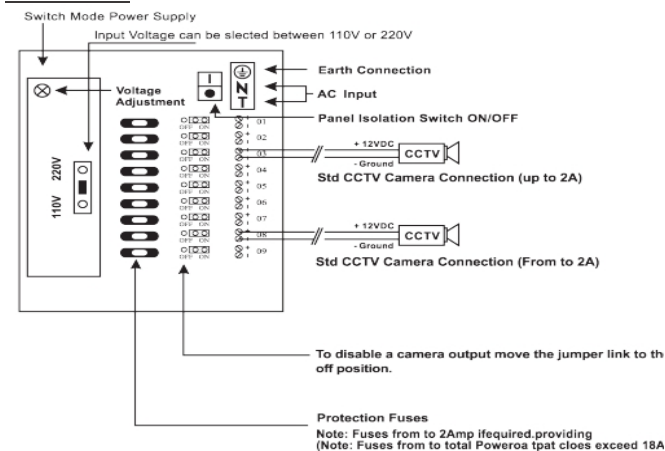
The WKC068 lets you have it all, and it's the power supply you want for your CCTV.



## SPECIFICATIONS

Product Name	WKC068
Power Supply Type	SFX
Input Voltage	110-220 Volts
Input Current	15 Amps
Input Frequency	60Hz/50 Hz
Rated Output Power	180 Watts
Fan	No
Fan Size 1 x 120mm	No
Efficiency	85% @ Typical Load
MTBF	20,000 hours when operating with the rated load at ambient temperature of 25°C.
Protections	UVP/OVP/SCP/OPP
Regulatory	No
Power Factor Correction Active	No
Modular	No
Operating Temperature	-20°C to +45°C, 10%RH to 90%RH
Storage Temperature	-40°C to +70°C, 10%RH to 80%RH
Dimensions	L320*W230*H65mm

## DIAGRAM



WKC068(180W)		
AC input	110V/220V 60/50Hz	
DC Output	+12V (9 outputs)	Total
	15A	180W

**\*For Indoor Use Only**

LED Fuse Status Indicator  
LED ON = Fuse OK  
LED OFF = Fuse Fault

