

2MP Light Hunter Active Deterrence Network PTZ Dome Camera



- Light Hunter illumination
- Day/night functionality
- Optical Zoom 4X
- Up to 50 m (164 ft) IR and 10m (33 ft) warm light distance
- Up to 120 dB Optical WDR(Wide Dynamic Range)
- Human Body Detection, Auto Tracking
- Micro SD, up to 128 GB
- Built-in microphone & speaker
- Ultra 265,H.265, H.264, MJPEG
- IR anti-reflection window to increase the infrared transmittance
- ONVIF Conformance
- IP66, POE



System Overview

The Megapixel Motorized camera delivers 2MP resolution with a 2.8mm – 12 mm motorized lens. The camera's elegant blend of aesthetics combined with a range of easy mounting solutions provides an excellent choice for a variety of small to mid-size applications at an affordable price.

Functions

Ultra H.265

Ultra H.265 is the optimized implementation of the H.265 codec that uses a scene-adaptive encoding strategy, dynamic GOP, dynamic ROI, flexible multi-frame reference structure and intelligent noise reduction to deliver high-quality video without straining the network. Smart H.265+ technology reduces bit rate and storage requirements by up to 70% when compared to standard H.265 video compression.

Light Hunter illumination Technology

For challenging low-light applications, WATASHI's Light Hunter illumination Technology offers best-in-class light sensitivity, capturing color details in low light down to 0.001lux. The camera uses a set of optical features to balance light throughout the scene, resulting in clear images in dark environments.

Human Body Detected (ตรวจจับร่างกายมนุษย์)

WATASHI camera is equipped with a built-in intelligent analytic algorithm based on video, which can realize intelligent functions like Human Body Detected Tripwire and Intrusion, to quickly and accurately respond to monitoring events in specific area, It can enhance monitoring efficiency. In addition, the camera supports intelligent tamper detection, which is to generate warning message via detecting dramatic scene change and to guarantee effective video surveillance.

Wide Dynamic Range (WDR)

The camera achieves vivid images, even in the most intense contrast lighting conditions, using industry-leading wide dynamic range (WDR) technology. For applications with both bright and low lighting conditions that change quickly, true WDR (120 dB) optimizes both the bright and dark areas of a scene at the same time to provide usable video.

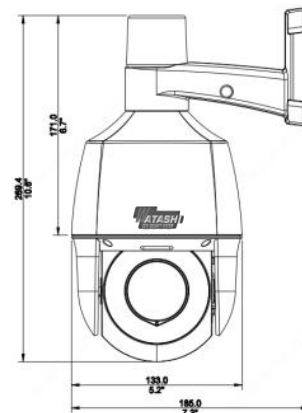
Environmental

WATASHI cameras operate in extreme temperature environments, rated for use in temperatures from -30° C to +60° C (-22° F to +140° F) with 95% humidity.

Interoperability

The camera conforms to the ONVIF (Open Network Video Interface Forum) specifications, ensuring interoperability between network video products regardless of manufacturer.

Dimensions



Technical Specification

Camera

Image Sensor	1/2.8" progressive scan, 2.0 megapixel, CMOS
Effective Pixels	1920(H) x1080(V)
Lens	2.8~12mm, AF automatic focusing and motorized zoom lens
Angle of View (H, V, O)	32.5°~95.7°, 18.4°~52.2°, 36.9°~100.8°
Shutter	Auto/Manual, shutter time: 1 s ~ 1/100000 s
Minimum Illumination	Colour:0.001 lux (F1.6,AGC ON) 0 lux with IR
Day/Night	IR-cut filter with auto switch (ICR)
Digital noise reduction	2D/3D DNR
S/N	>52 dB
IR Range	UP to 50m (164ft)

IR On/Off Control Auto/Manual

Warm Light Range	UP to 10m (33ft)	
WDR	120dB	
White Balance	Auto/Outdoor/Fine Tune/Sodium Lamp/Locked/Auto2	
Digital noise reduction	2D/3D DNR	
Smart IR	Support	
Flip	Normal/Vertical/Horizontal/180°	
De-warping	Support	
Image	HLC	Supported
	BLC	Supported

Smart

Behavior Detection	Human Body Detection, Auto Tracking
--------------------	-------------------------------------

General Function	Watermark, IP Address Filtering, Tampering Alarm, Access Policy, ARP Protection, RTSP Authentication, User Authentication
------------------	---

Video

Compression	Ultra 265,H.265, H.264, MJPEG
H.264 code profile	Baseline profile, Main Profile
Frame Rate	Main Stream:1080P (1920*1080):Max. 30 fps; 720P (1280*720):Max. 30 fps; Sub Stream: 720P (1280*720):Max. 30 fps; Third Stream: CIF (352*288): Max. 30 fps
Video Bit Rate	128 Kbps~16 Mbps
OSD	Up to 8 OSDs
Privacy Mask	Up to 8 areas
ROI	Up to 8 areas
Motion Detection	Up to 4 areas

Pan/Tilt

Pan Range	345°
Pan Speed	0.1°/s ~ 50°/s , Preset speed: 50°/s
Tilt Range	90°
Tilt Speed	0.1° ~ 40°/s , Preset speed: 40°/s
Number of Presets	256
Patrol	Preset patrol, Route patrol

Storage

Edge Storage	Micro SD, up to 128 GB
Network Storage	ANR, NAS(NFS)

Audio

Compression	G.711A
Suppression	Supported
Sampling Rate	8 KHZ

Network

Ethernet	1 RJ45 10M/100M Base-TX Ethernet
Protocol	IPv4, IGMP, ICMP, ARP, TCP, UDP, DHCP , PPPoE, RTP, RTSP, RTCP, DNS, DDNS, NTP, FTP, UPnP, HTTP, HTTPS, SMTP , 802.1x , SNMP, SSL
Compatible Integration	ONVIF(Profile S, Profile G, Profile T), API
Web Browser	Plug-in required live view: IE9+, Chrome 41 and below, Firefox 52 and below , Plug-in free live view: Chrome 57.0+. Firefox 58.0+. Edge 16+. Safari 11+

General

Dimensions (Ø x H)	Ø133mm*269.4mm (Φ5.2"x 10.6")
Net Weight	0.87 kg (1.92lb)
Gross Weight	1.13 kg (2.49lb)
Material	Metal + Plastic

Certifications

Certifications	CE: EN 60950-1 UL: UL60950-1 FCC: FCC Part 15
----------------	---

Interface

Built-in Mic	Supported
Built-in Speaker	Supported
Alarm Light	Supported
Ingress Protection	IP66
Reset Button	Supported

Electrical

Power Supply	DC 12V±25%, PoE (IEEE802.3 at), Power consumption: Max 16 W
Working Environment	-20°C ~ 60°C (-4°F to 140°F), Humidity:≤95% RH(non-condensing)
Storage Environment	-20°C ~ 60°C (-4°F to 140°F), Humidity:≤95% RH(non-condensing)
Surge Protection	4KV

